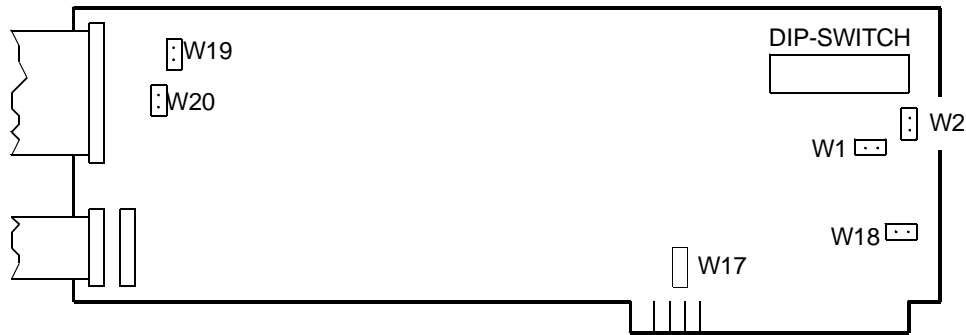

MAGNETIC/OPTICAL PERIPHERAL CONTROLLERS

TABLE OF CONTENTS OF MAGNETIC/OPTICAL PERIPHERAL CONTROLLERS

GO349 - GO310 ST506 / MFM	D - 2
GO391 ST506 / MFM.....	D - 3
WD1002A WX1 GO425 ST506 / MFM.....	D - 4
GO447 ST506 / MFM	D - 4
WD1002/WAH GO406 ST506 / MFM	D - 5
WD1003/WA2 GO714 COMBO ST506 / MFM / Int. 3:1	D - 5
WD1006V /WA2 GO727 - COMBO ST506 / MFM/Int. 1:1	D - 6
WD1003 RA-2 GO723 COMBO ST506 / RLL / Int. 2:1	D - 7
WD1003 WAH GO717 ST506 / MFM / Int. 3:1	D - 7
WD1005 WAH GO720 ESDI / Int. 3:1	D - 8
WD1007 WAH GO728 ESDI / Int. 1:1	D - 8
WD1007A/WA2 GO733 COMBO ESDI / Int. 1:1	D - 9
WD1007V-SE2 GO535 COMBO ESDI	D - 10
WD1009V GO565 ESDI PERIPHERAL CONTROLLER BOARD	D - 11
GO582 SCSI HARD DISK CONTROLLER BOARD	D - 12
GO610 SCSI HARD DISK CONTROLLER BOARD	D - 13
PRIME 2 SUPER I/O CONTROLLER BOARD.....	D - 14
PRIME IIC SUPER I/O CONTROLLER BOARD	D - 16
GO718/GO725 STREAMING TAPE CONTROLLER BOARD	D - 18
ASC-1 INTERFACE BOARD	D - 19
ASC-2 SCSI INTERFACE BOARD.....	D - 22
INTEGRATED AT CD-ROM CONTROLLER BOARD.....	D - 27
ASC-2F SCSI INTERFACE BOARD.....	D - 28
ASC/PCI-2F (AHA-2940) SCSI INTERFACE BOARD.....	D - 31

D

GO349 - GO310 ST506 / MFM (For M24 with BIOS 1.10 or 1.21)



BQA1A

JUMPERS

JUMPERS		FUNCTION	ADDRESS
W1	W2		
IN	IN	I/O address	320 H *
IN	OUT		324 H
OUT	IN		328 H
OUT	OUT		32C H
W17		BIOS address	C800:0* D800:0
IN	OUT		

JUMPERS		FUNCTION	ADDRESS
W19	W20		
OUT	OUT	Dimensions hard disk sectors	286 Byte
OUT	IN		512 Byte *
IN	OUT		1024 Byte
W18		BIOS enable	Enabled * Disabled
IN	OUT		

DIP-SWITCH

DRIVE C:				HARD DISK MODEL	CAPACITY	NUMBER CYLINDERS	HEADS
SW3	SW4	SW7	SW8				
OFF	OFF	ON	ON	Standard	10 MB	306	4
OFF	ON	OFF	ON	Wren I full	30 MB	640	5
ON	ON	ON	ON	Standard	5 MB	306	4
OFF	OFF	OFF	ON	Segate ST225 (**)	20 MB	615	4
ON	ON	ON	OFF	OPE.XM 5220	20 MB	612	4
				Miniscribe 3425 (**)	20 MB	612	4

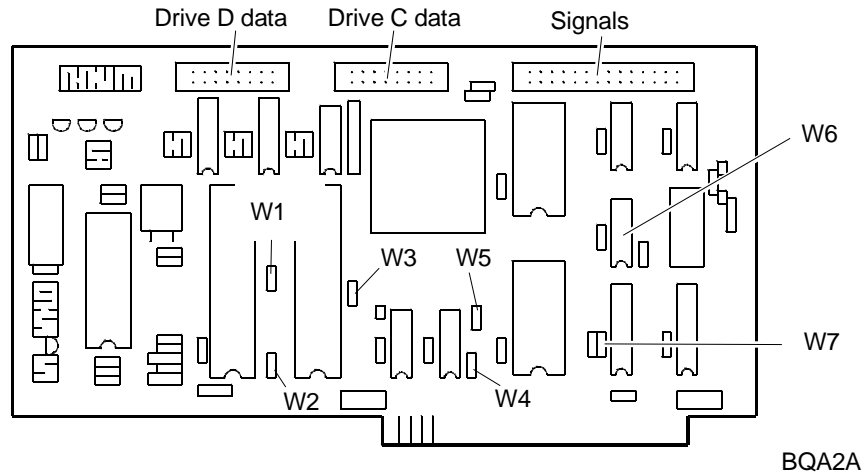
DRIVE D:				HARD DISK MODEL	CAPACITY	NUMBER CYLINDERS	HEADS
SW1	SW2	SW5	SW6				
OFF	OFF	ON	ON	Standard	10 MB	306	4
OFF	ON	OFF	ON	Wren I full	30 MB	640	5
ON	ON	ON	ON	Standard	5 MB	306	4
OFF	OFF	OFF	ON	Segate ST225 (**)	20 MB	615	4
ON	ON	ON	OFF	OPE.XM 5220	20 MB	612	4
				Miniscribe 3425 (**)	20 MB	612	4

(*) Normal position

(**) Managed only BIOS Lev. 1.21

NOTE: Formatting of the D.T.C. hard disk is not compatible with W.D. formatting.

GO391 ST506 / MFM (For M24 - M24 SP with BIOS 1.36 + PL90)



D

JUMPERS

JUMP.	POS.	FUNCTION
W1	1 - 2	Normal operation *
	2 - 3	Test
W2	1 - 2	Normal operation *
	2 - 3	Test
W3	IN	ROM BIOS on controller board
	OUT	ROM BIOS on system board

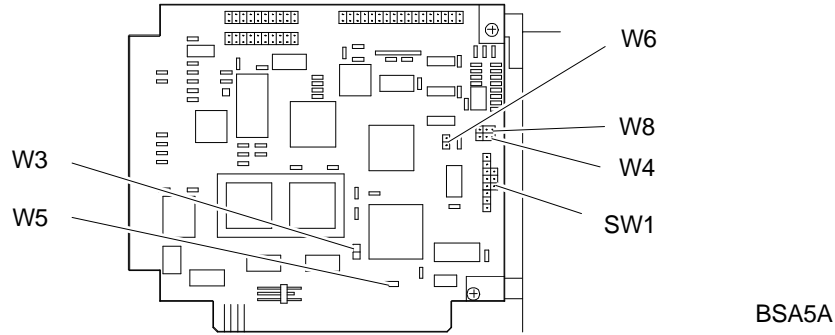
* Normal position

JUMP.	POS.	FUNCTION
W4	1 - 2	I/O address I/O 320 H *
	2 - 3	I/O address 324 H
W5	1 - 2	ROM BIOS 32 K or 64 K *
	2 - 3	ROM BIOS 16 K
W6	1 - 2	Reduced Current 8 CAB
	2 - 3	Reduced Current 16 CAB *
W7	1 - 2	IRQ 5 *
	2 - 3	IRQ 2

DIP-SWITCH

SW1	SW2	SW3	SW4	SW5	SW6	SW7	SW8	MODEL	CAP.	CIL.	TES.
ON	ON	ON	ON	ON	ON	ON	ON	Wren I Full	30 MB	640	5
OFF	OFF	OFF	OFF	ON	ON	ON	ON	Standard	10 MB	306	4
ON	ON	ON	ON	OFF	ON	OFF	ON	XM 5220	20 MB	612	4
OFF	ON	OFF	ON	ON	ON	ON	ON	Miniscribe 3425	20 MB	612	4
OFF	ON	OFF	ON	ON	ON	ON	ON	Seagate ST225	20 MB	515	4

WD1002A WX1 GO425 ST506 / MFM (For M24 - M24 SP BIOS 1.36/1.43 - M240)



JUMPERS

JUMP.	POS.	FUNCTION
W3	IN	ROM BIOS on controller board
	OUT	ROM BIOS on system board *
W4	1 - 2	I/O address 320 H *
	2 - 3	I/O address 324 H
W5	1 - 2	ROM BIOS 32 K or 64 K *
	2 - 3	ROM BIOS 16 K

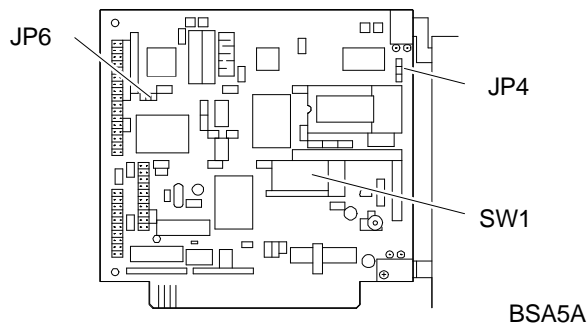
JUMP.	POS.	FUNCTION
W6	IN	Reduced Current 8 CAB
	OUT	Reduced Current 16 CAB *
W7	1 - 2	IRQ 5 *
	2 - 3	IRQ 2
W8	1 - 2	Two hard disk controllers *
	2 - 3	One hard disk controller

* Default Position

DIP-SWITCH

P.C.	3	4	7	8	Unit C			
	1	2	5	6	Unit D			
					Capacity	Cyl.	Head	Dimensions
M24 SP	ON	ON	ON	ON	30 MB	640	5	5.25" full
	OFF	OFF	ON	ON	10 MB	306	4	5.25" slim
	ON	ON	OFF	ON	20 MB	612	4	5.25" slim
					20 MB	612	4	5.25" slim
					20 MB	612	4	5.25" slim
		OFF	ON	ON	ON	20 MB	615	4
M240	OFF	ON	ON	ON	20 MB	615	4	3.5"
	ON	OFF	ON	ON	20 MB	612	4	3.5"
	OFF	ON	OFF	OFF	20 MB	612	4	3.5"
					40 MB	612	4	3.5"
	ON	ON	OFF	ON	40 MB	615	8	3.5"
	OFF	ON	ON	OFF	40 MB	820	8	3.5"

GO477 ST506 / MFM (For M240)



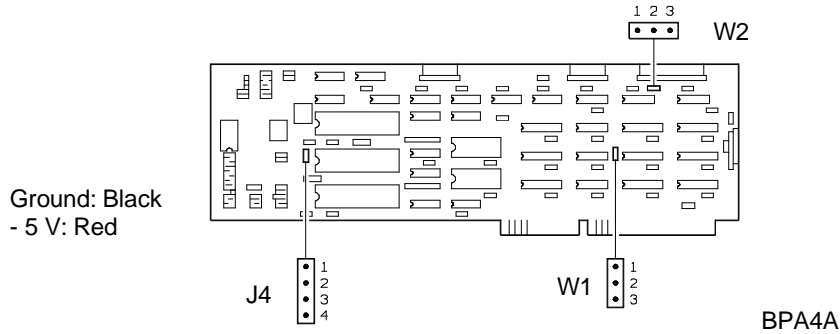
JUMPERS

JUMP.	POS.	FUNCTION
JP4	2 - 3	Normal
JP6	2 - 3	Recording Current

DIP-SWITCH SW1

Same as on the GO425 board.

WD1002/WAH GO406 ST506 / MFM (For M28)



D

JUMPERS

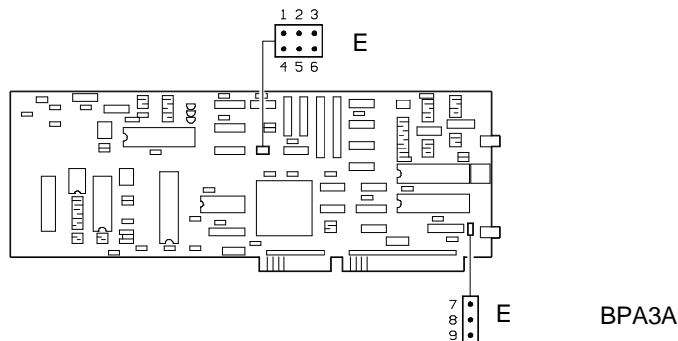
JUMP.	POS.	FUNCTION
W1	1 - 2 2 - 3	Primary address 1F0 * Primary address 170
W2	NL * L	Mode of operation

NOTE: DMA channel = 3
Interrupt = 14.
* Default Position

SELECTION OF THE HARD DISK SYSTEM SET-UP TYPE

TYPE	CAPACITY	CYL.	HEADS	MODEL	SIZE	ACCESS TIME
1	10 MB	306	4	Standard 10 MB	5.25" Slim	85
2	20 MB	615	4	XM5221 / Seagate ST225	5.25" Slim	65
6	40 MB	820	6	XM5340	5.25" Slim	40
7	40 MB	615	8	NEC 5146 H	5.25" Slim	40
9	40 MB	981	5	WREN II 94205/51	5.25" Slim	28
12	68 MB	1024	8	Micropolis 1325	5.25" Slim	28
13	68 MB	925	9	WREN II 94155/86	5.25" Slim	28
14	40 MB	1024	5	Micropolis 1323 A	5.25" Slim	28
16	20 MB	612	4	XM 5220 / NEC 5126	5.25" Slim	85
16	20 MB	612	4	NEC 5126 H	5.25" Slim	40
18	40 MB	820	6	Seagate ST251	5.25" Slim	40

WD1003/WA2 GO714 COMBO ST506/MFM Int. 3:1(For M28 - M280)



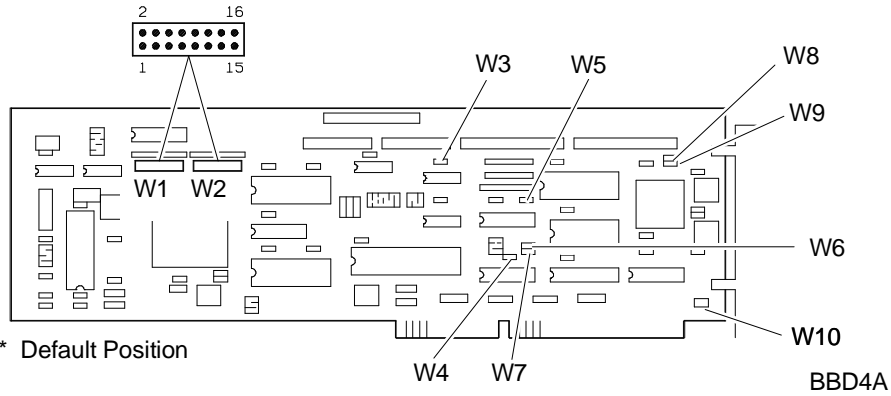
JUMPER	POSITION	FUNCTION
E1 - E2 - E3	E2 - E3	HDU registers as primary adapter *
E4 - E5 - E6	E5 - E6	FDU registers as primary adapter
E7 - E8 - E9	E7 - E8	Speed selection

NOTE: On M28 P.C. BIOS REL. 2.07 is needed to install this controller.

SELECTION OF THE HARD DISK SYSTEM SETUP TYPE * Default Position

Same as that of board GO406.

WD1006V /WA2 GO727 - COMBO ST506/MFM/Int. 1:1 (For M290)



JUMPERS

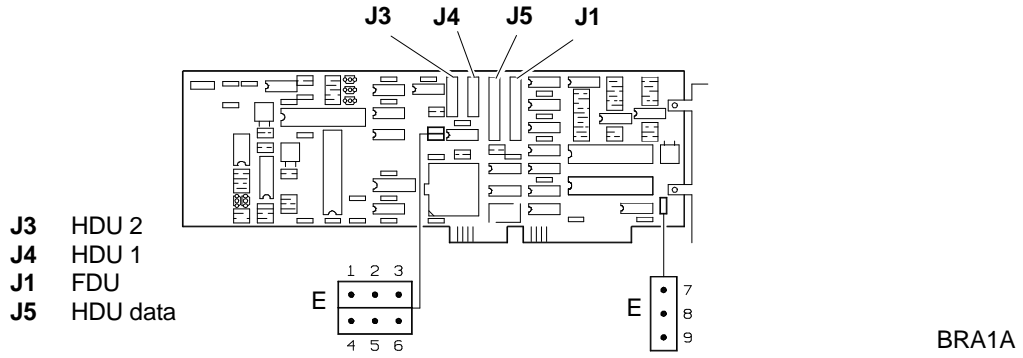
W1 - DRIVE 1 / W2 - DRIVE 2			
Position	Function	Position	Function
1 - 2	3 - 4	9 - 10	Look Ahead track
OUT	OUT	IN	Disabled
IN	OUT		
OFF	IN	11 - 12	Data decode type
IN	IN	IN	If unit 1 is different from unit 2
		OUT	Unit 1 is the same as unit 2 *
5 - 6	Reserved	13 - 14	Data buffer dimensions
IN	Not used	IN	32 Kb
OUT	Normal	OUT	8 Kb *
7 - 8	Number of ECC Bytes	15 - 16	Reserved
IN	7 Byte	IN	Not used
OUT	4 Byte *	OUT	Normal *

NOTE: If recording mode of unit 1 is different from that of drive 2, then set jumper 11 - 12 of W1 to the IN position.

W3 Floppy Disk controller		W4 Floppy Disk I/O addresses	
Position	Function	Position	Function
1 - 2	5.25" and 3.5" 720 KB units	IN	Secondary address 370 - 377
2 - 3	3.5" 1.44 MB unit	OUT	Primary address 3F0 - 3F7
W5 Hard Disk I/O addresses		W8 Speed of the drives	
Position	Function	Position	Function
IN	Secondary address 170 - 177	IN	Normal
OUT	Primary address 1F0 - 1F7	OUT	Twin speed
W6 W7 ROM BIOS selection and addresses		W9 Precompensation	
Position	Function	Position	Function
IN	IN	IN	208.3 ns/300 Kbps
IN	OUT	OUT	125 ns
OUT	IN		
OUT	OUT	W10	Logic ground always IN

NOTE: 1.44 MB and 720 KB drives cannot be installed together.

WD1003 RA-2 GO723 COMBO ST506/RLL/Int. 2:1 (For M280 - M380 C)

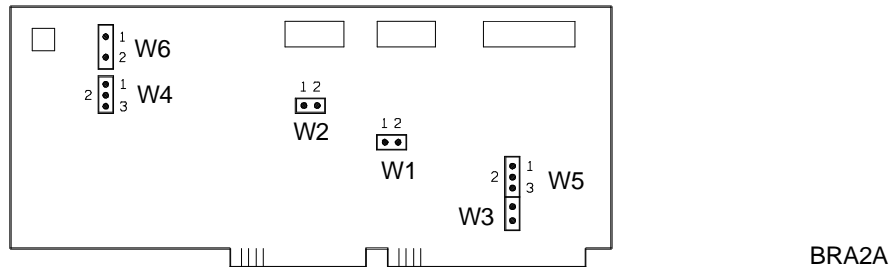


JUMPER	POSITION	FUNCTION
E1 - E2 - E3	E2 - E3	Hard Disk register addresses 1F0 - 1F7
E4 - E5 - E6	E5 - E6	Floppy Disk register addresses 3F0 - 3F7
E7 - E8 - E9	E7 - E8	Floppy type selection

SELECTION OF THE HARD DISK SYSTEM SETUP TYPE

TYPE	CAPACITY	CYL.	HEADS	MODEL	SIZE	ACCESS TIME
23	62 MB	615	8	NEC 5147 H	5.25" Slim	40
30	62 MB	981	5	CDC WREN II 94205-77	5.25" Slim	40

WD1003 WAH GO717 ST506/MFM/Int. 3:1(For M380)



JUMPERS

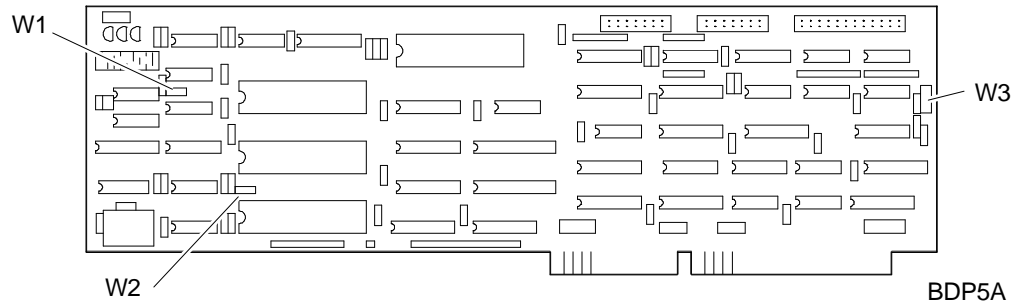
JUMP.	POS.	FUNCTION	JUMP.	POS.	FUNCTION
W1	OUT	Operating mode non-latched Operating mode latched	W4	1 - 2	Twin-drive support (612 cyl. 2 Hds.) Normal *
	IN			2 - 3	
W2	OUT	Primary address 1F0 - 1F7 * Secondary address 170 - 177	W5	1 - 2	Current recording mode Normal *
	IN			2 - 3	
W3	OUT	Normal * RESET (only if W5 1-2 is IN)	W6	1 - 2	STEP speed Normal *
	IN			2 - 3	

SELECTION OF HARD DISK SYSTEM SETUP TYPE

TYPE	CAPACITY	CYL.	HEADS	MODEL	SIZE	ACCESS TIME
6	40 MB	820	6	XM5340	5.25" Slim	40
7	40 MB	615	8	NEC 5146 H	5.25" Slim	40
12	68 MB	1024	8	Micropolis 1325	5.25" Full	28
13	68 MB	925	9	CDC WREN II 94155-86	5.25" Full	28

* Default position

WD1005 WAH GO720 ESDI/Int. 3:1 (For M380)



JUMPERS

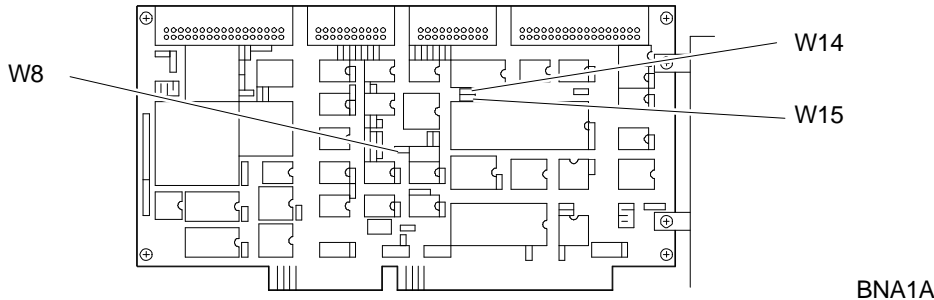
JUMPER	POSITION	FUNCTION
W1	OUT	Normal
	IN	Extra address enable
W2	OUT	Normal
W3	2 - 3	Primary address 1F0 - 1F7 *
	1 - 2	Secondary address 170 - 177

* Default Position

SELECTION OF THE HARD DISK SYSTEM SETUP TYPE

TYPE	CAPACITY	CYL..	HEADS	MODEL	SIZE	ACCESS TIME
25	135 MB	1021	8	Micropolis 1355	5.25" Full	25
24	135 MB	820	10	NEC 5652 / Fujitsu M2246	5.25" Full	25

WD1007 WAH GO728 ESDI/Int. 1:1 (For M380 XP)



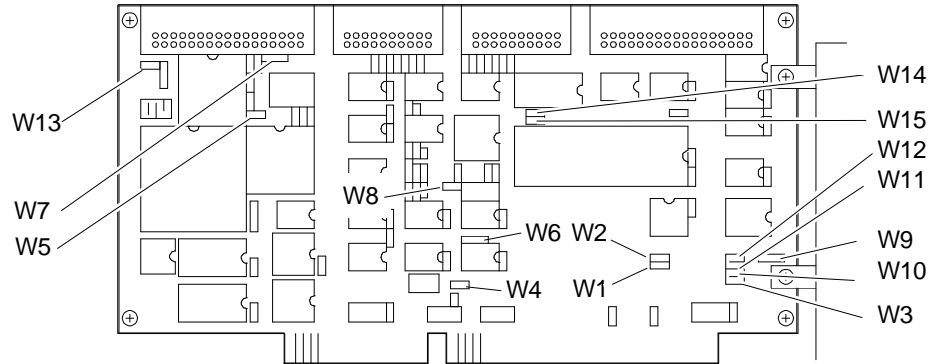
JUMPER	POSITION	FUNCTION
W8	OUT	Mode of operation
W14	OUT	Sector slip
W15	IN	ECC selection

NOTE: On the board there are 15 jumpers from W1 to W15. However it is only possible to get at jumpers W8 - W14 - W15

SELECTION OF THE HARD DISK SYSTEM SETUP TYPE

TYPE	CAPACITY	CYL.	HEADS	MODEL	SIZE	ACCESS TIME
31	300 MB	814	15	NEC 1558/Micropolis 1558	5.25" Full	25
32	80 MB	977	5	CDC WREN 94216-106	5.25" Slim	20
24	135 MB	820	10	NEC 5652/Fujitsu 2246	5.25" Full	25
25	135 MB	1021	8	Micropolis 1355	5.25" Full	25

WD1007A/WA2 GO733 COMBO ESDI/Int. 1:1 (For M380/XP4 - M380/XP7)



D

BOA1A

JUMPERS

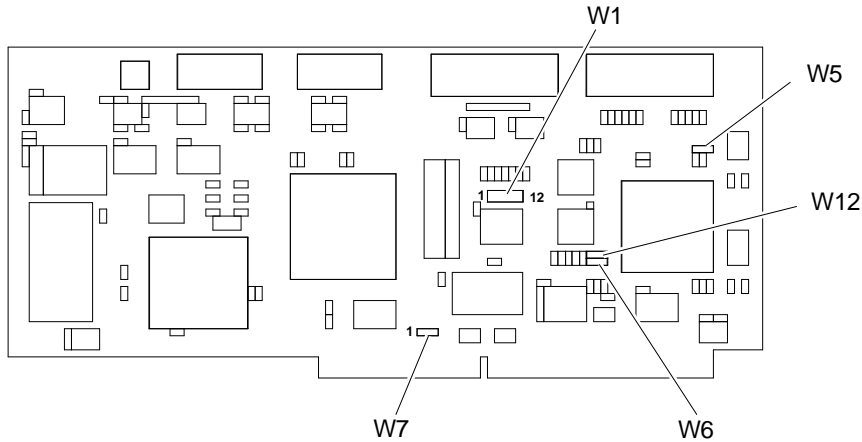
W1 - W2 BIOS addresses			W3 BIOS buffer	
W1	W2	Function	Position	Function
2 - 3	2 - 3	C800 - C9FFF	OUT	Disabled *
2 - 3	1 - 2	CA00 - CBFFF	IN	Enabled
1 - 2	2 - 3	CC00 - CDFFF		
1 - 2	1 - 2	CE000 - CFFFF		
W4 - W13 Floppy Disk controller			W5 Spindle Motor Speed	
W4	W13	Function	Position	Function
OUT	IN	Enabled *	OUT	1 Speed *
IN	OUT	Disabled	IN	2 Speed
W6 Floppy Disk controller addresses			W7 Unit type A	
Position	Function		Position	Function
1 - 2	37X		1 - 2	5,25" 1.2 MB *
2 - 3	3FX *		2 - 3	3.5" 1.44 MB
W8 Mode of operation			W9 Physical and logic ground	
IN	WD 1005		1 - 2	Not connected *
OUT	WD 1007 *		2 - 3	Connected
W10 Input mode			W11 Disk Change Floppy disk	
OUT	Non-Latched *		IN	Active *
IN	Latched		OUT	Non-active
W12 Hard Disk controller addresses			W14 Sector Slip	
OUT	1FX *		OUT	Enabled *
IN	17X		IN	Non-enabled
W15 ECC selection			NOTE: Jumpers W1 - W2 - W3 - W13 - W9 - W10 - W12 are wired on the board.	
IN *	7 Byte *			
OUT	4 Byte			

SELECTION OF THE HARD DISK SYSTEM SET-UP TYPE

* Default Position

TYPE	CAPACITY	CYL.	HEADS	MODEL	SIZE	ACCESS TIME
31	300 MB	814	15	Micropolis 1558	5.25" Full	25
33	135 MB	1246	7	NEC D5655 Micropolis 1654 / 7	5.25" Slim	25

WD1007V-SE2 GO535 COMBO ESDI (M380/XP9)



JUMPER BLOCK W1

JUMPER	POSITION	FUNCTION
1 - 2	IN	Disable cache
	OUT	Enable cache
3 - 4	IN	ECC 7 bit
	OUT	ECC 4 bit
5 - 6	IN	Disable translation
	OUT	Enable translation
7 - 8	-	Reserved
9 - 10	IN	35 sectors per track
	OUT	Software selectable sectors number per track
11 - 12	IN	Enable alternate sector
	OUT	Disable alternate sector

JUMPER W5

OUT: Floppy disk single speed drive
 IN: Not used - Floppy disk dual speed drive

JUMPERS W6 AND W12

JUMPER	POSITION	FUNCTION
W6	OUT	I/O address range of board for floppy disk and primary hard disk controller (3FX, 37X)
W12	OUT	
W6	IN	I/O address range of board for floppy disk and secondary hard disk controller (1FX, 17X)
W12	IN	

JUMPERS W7

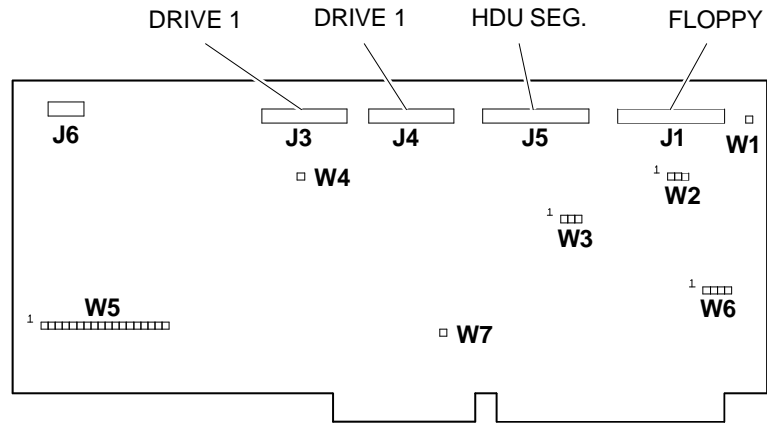
Position 1 - 2 Hard disk interrupt level IRQ14
 Position 2 - 3 Hard disk interrupt level IRQ15

600 MB HDU INSTALLATION VIA USER DISKETTE

Select a specific value for hard disk type according to the operating system to be installed in the system as shown below:

- Value of hard disk type 38 SCO UNIX, AT&T 4.0 UNIX
- Value of hard disk type 39 Can be used by any operating system, but limits the hard disk capacity to 528 MB
- Value of hard disk type 40 Olivetti DOS, Olivetti OS/2

WD1009V GO565 ESDI PERIPHERALS CONTROLLER BOARD (For M486 ESDI)



JUMPER BLOCK W5

PIN	POS.	FUNCTION
23 - 24	OUT	Enable hard disk
	IN	Disable hard disk
21 - 22	OUT	Hard disk primary address
	IN	Hard disk secondary address
19 - 20	OUT	DMA6
	IN	DMA7
17 - 18	**	Interrupt channel selection
15 - 16		
13 - 14	OUT	Enable BIOS
	IN	Disable BIOS
11 - 12	OUT	BIOS primary address
	IN	BIOS secondary address
9 - 10	OUT	Cache function enabled
	IN	Cache function disabled
7 - 8	OUT	ECC 4 byte
	IN	ECC 7 byte
5 - 6	OUT	35 sectors / 53 tracks
	IN	Physical operation mode
3 - 4	OUT	Translation enabled
	IN	Translation disabled
1 - 2	OUT	Alternate sectors function disabled
	IN	Alternate sectors function enabled

**

PIN 15-16	PIN 17-18	INTERRUPT
OUT	OUT	IRQ14
OUT	IN	IRQ13
IN	OUT	IRQ12
IN	IN	IRQ11

JUMPER W1

OUT Board ground not connected to logic ground
 IN Board ground connected to logic ground

JUMPER BLOCK W6

PIN	POS.	FUNCTION
1 - 2	OUT	Enable floppy
	IN	Disable floppy
3 - 4	OUT	DMA 2
	IN	DMA 3
5 - 6	OUT	Floppy primary address
	IN	Floppy secondary address
7 - 8	OUT	Single speed for 1.2 MB 5.25" drive
	IN	Dual speed for 1.2 MB 5.25" drive

JUMPER BLOCK W3

PIN	POS.	FUNCTION
1 - 2	IN	Drive floppy disk type AT (3.5 1.44" MB)
2 - 3	IN	Drive floppy disk type PS2 (3.5 1.44" MB)

JUMPER BLOCK W2

PIN	POS.	FUNCTION
1 - 2	IN	Third floppy disk connected with a twisted cable
2 - 3	IN	Third floppy disk connected with a not twisted cable

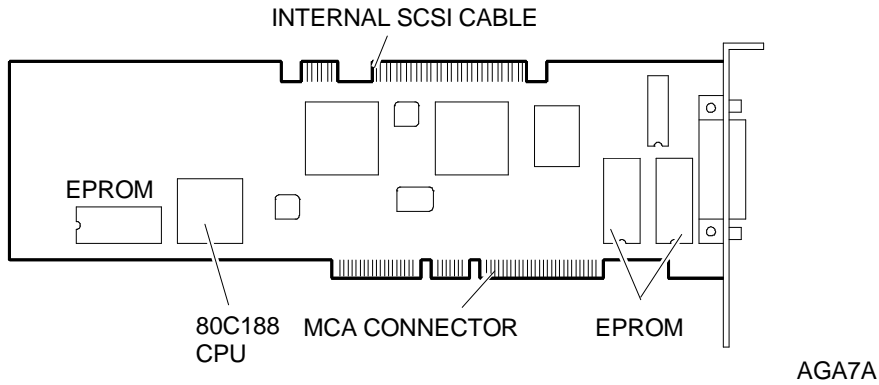
JUMPER W7

IN EISA selfconfiguration disabled
 OUT EISA selfconfiguration enabled

JUMPER W4

OUT Board always enabled
 IN Board enabled only by host computer

GO582 SCSI HARD DISK CONTROLLER BOARD (For M480-30, M480-40)



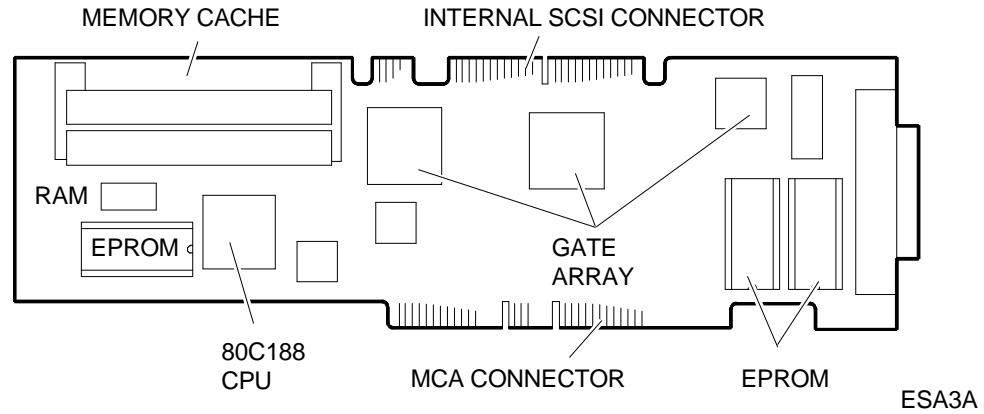
Board GO582 must be configured with SCSI ID **7** and the terminator installed. The terminator is installed on the cable.

The system's first hard disk must be configured with SCSI ID **6** and have the terminators installed.

A second hard disk can be configured with a SCSI ID ranging from **0 to 5**.

SCSI ID	USE
0	Available for expansion
1	Available for expansion - Used by the second HDU
2	Available for expansion
3	Available for expansion
4	Available for expansion
5	Available for expansion
7	Board GO582 ID

GO610 SCSI HARD DISK CONTROLLER BOARD (For M480-30, M480-40)



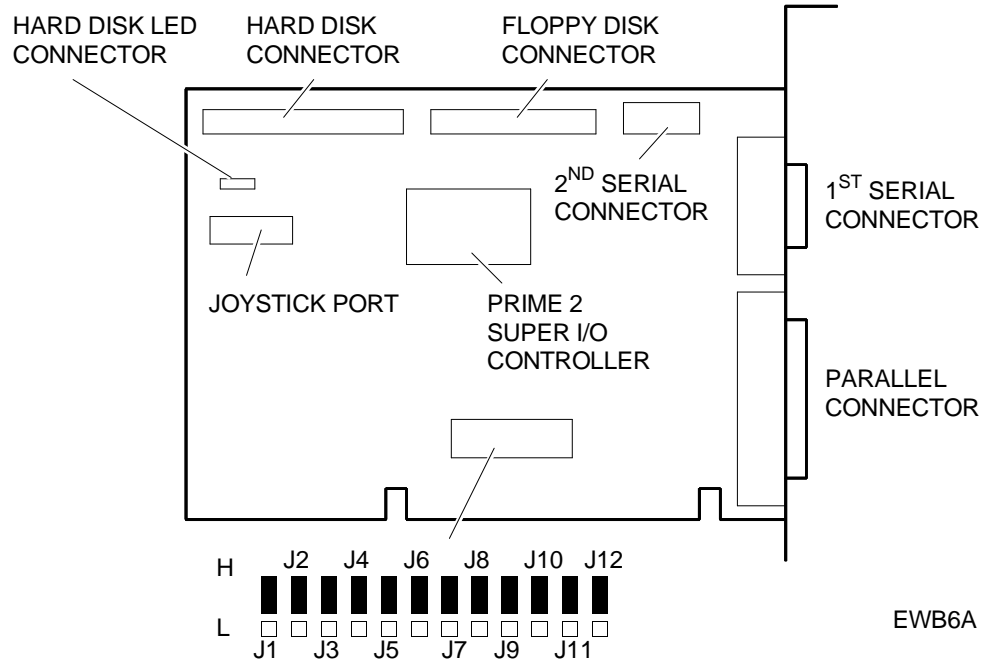
Board GO610 must be configured with SCSI ID **7** and have the terminator installed.

The system's first hard disk must be configured with SCSI ID **6** and have the terminators installed.

A second hard disk can be configured with a SCSI ID ranging from **0 to 5**.

SCSI ID	USE
0	Available for expansion
1	Available for expansion- Used by the second HDU
2	Available for expansion
3	Available for expansion
4	Available for expansion
5	Available for expansion
6	First hard disk installed in the system
7	GO610 board ID

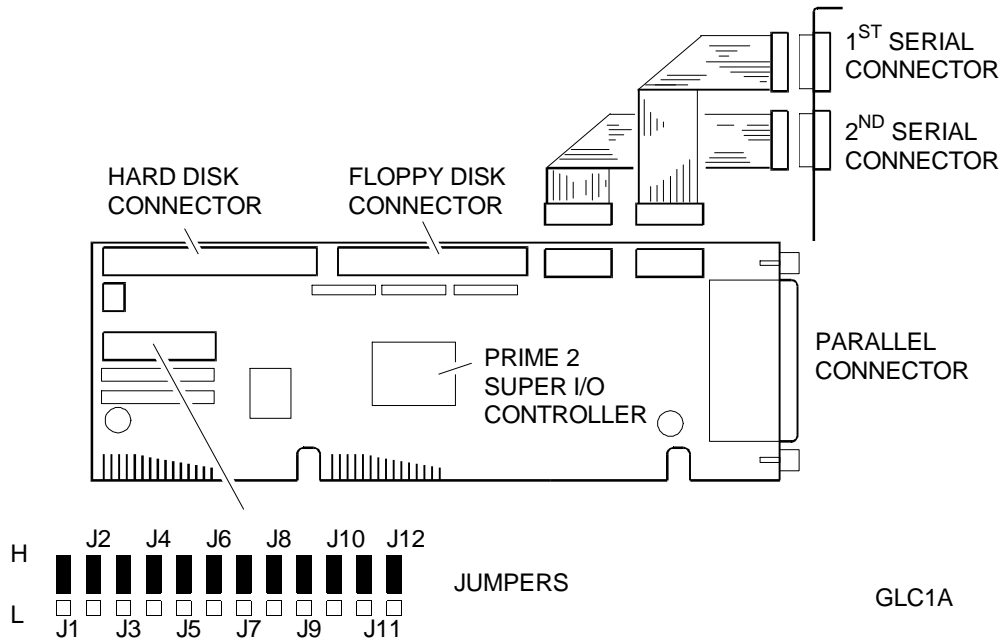
PRIME 2 SUPER I/O CONTROLLER BOARD (For the PCS 30 / 40, PCS42 with TIN BOX)



JUMPERS

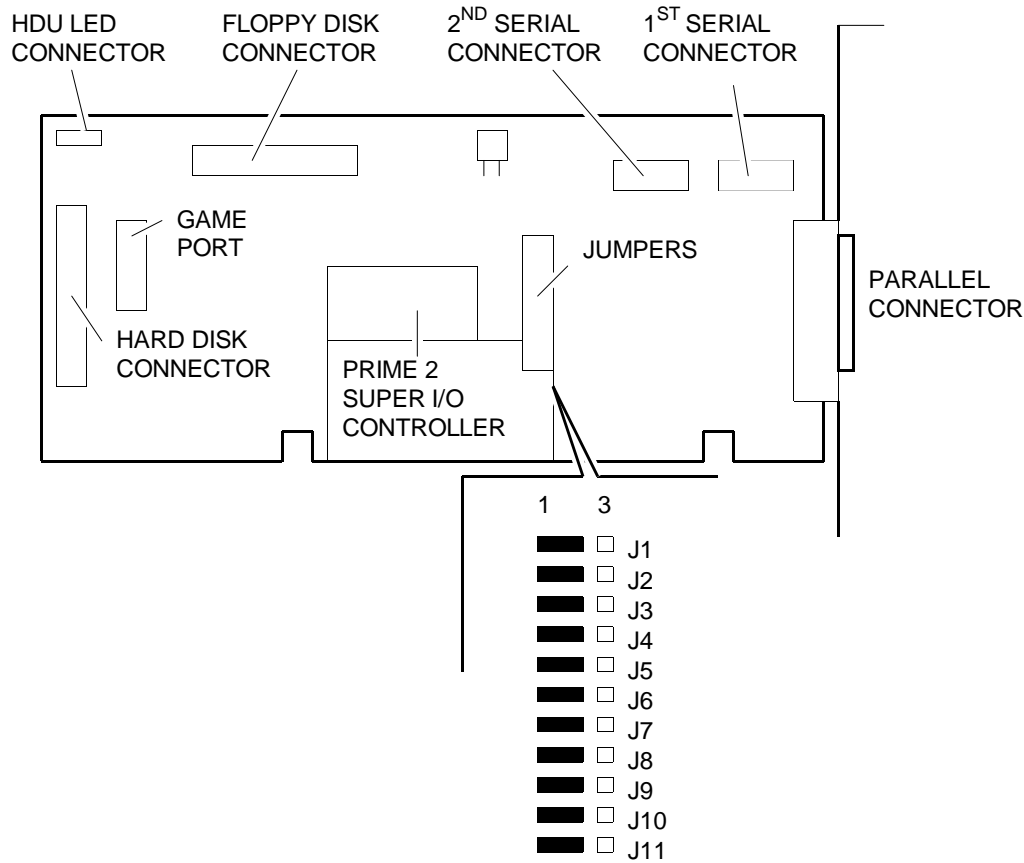
DEVICE	JUMP.	SETTING	FUNCTION
Floppy disk interface	J1	H	Enables the floppy disk interface
		L	Disables the floppy disk interface
	J2	H	Addresses the floppy disk interface at 3F0-3F7 h
		L	Addresses the floppy disk interface at 370-377 h
IDE AT hard disk interface	J3	H	Enables the hard disk interface
		L	Disables the hard disk interface
AT HDU interf. addresses	J4	H	Addresses the AT HDU interf. at 1F0-1F7 h & 3F6-3F7 h
		L	Addresses the AT HDU interf. at 170-177 h & 376-377 h
XT HDU interf. addresses	J5	H	Addresses the XT HDU interf. at 320 - 323 h
		L	Addresses the XT HDU interf. at 324 - 327 h
AT or XT HDU selection	J6	H	IDE AT hard disk
		L	IDE XT hard disk
Serial port 1	J7	H	Enables serial port 1
		L	Disables serial port 1
	J8	H	Addresses serial port 1 at 3F8-3FF h & IRQ4 (COM1)
		L	Addresses aerial port 1 at 3E8-3EF h & IRQ4 (COM3)
Serial port 2	J9	H	Enables serial port 2
		L	Disables serial port 2
	J10	H	Addresses serial port 2 at 2F8-2FF h & IRQ3 (COM2)
		L	Addresses serial port 2 at 2E8-2EF h & IRQ4 (COM4)
Parallel port	J11	H	Enables the parallel port
		L	Disables the parallel port
	J12	H	Addresses the parallel port at 378-37F h & IRQ7 (LPT1)
		L	Addresses the parallel port at 278-27F h & IRQ7 (LPT2)

PRIME 2 SUPER I/O CONTROLLER BOARD (For the PCS42 with SLIM TIN BOX)



DEVICE	JUMP.	SET.	FUNCTION
Floppy disk interface	J1	H L	Enables the floppy disk interface Disables the floppy disk interface
	J2	H L	Addresses the floppy disk interface at 3F0-3F7h Addresses the floppy disk interface at 370-377h
IDE AT hard disk interface	J3	H L	Enables the hard disk interface Disables the hard disk interface
AT hard disk interface address	J4	H L	Addresses the AT HDU interf. at 1F0-1F7h & 3F6-3F7h Addresses the AT HDU interf. at 170-177h & 376-377h
COM 1 Serial port 1	J5	H L	Enables the serial port 1 Disables the serial port 1
	J6	H L	Addresses serial port 1 at 3F8-3FFh & IRQ4 (COM1) Addresses serial port 1 at 3E8-3EFh & IRQ4 (COM3)
COM2 Serial port 2	J7	H L	Enables serial port 2 Disables serial port 2
	J8	H L	Addresses serial port 2 at 2F8-2FFh & IRQ3 (COM2) Addresses serial port 2 at 2E8-2EFh & IRQ3 (COM4)
Parallel port	J9	H L	Enables the parallel port Disables the parallel port
	J10	H L	Addresses the parallel port at 378-37Fh & IRQ7 (LPT1) Addresses the parallel port at 278-27F & IRQ7 (LPT2)

PRIME IIC SUPER I/O CONTROLLER BOARD (For the PCS42 with TIN BOX)



DEVICE	JUMP.	SET.	FUNCTION
Floppy disk interface	J1	1 - 2 2 - 3	Enables the floppy disk interface Disables the floppy disk interface
	J2	1 - 2 2 - 3	Addresses the floppy disk interface at 3F0-3F7h Addresses the floppy disk interface at 370-377h
IDE AT hard disk interface	J3	1 - 2 2 - 3	Enables the hard disk interface Disables the hard disk interface
AT hard disk interface address	J4	1 - 2 2 - 3	Addresses the AT HDU interface at 1F0-1F7h & 3F6-3F7h Addresses the AT HDU interface at 170-177h & 376-377h
Game Port	J5	1 - 2 2 - 3	Enables the game port Disables the game port
Parallel port	J6	1 - 2 2 - 3	Enables the parallel port Disables the parallel port
Parallel port address	J7	1 - 2 2 - 3	Addresses the parallel port at 378-37Fh & IRQ7 (LPT1) Addresses the parallel port at 278-27F & IRQ7 (LPT2)

DEVICE	JUMP.	SET.	FUNCTION
COM 1 Serial port 1	J8	1 - 2 2 - 3	Enables serial port 1 Disables serial port 1
Serial port 1 address	J9	1 - 2 2 - 3	Addresses serial port 1 at 3F8-3FFh & IRQ4 (COM1) Addresses serial port 1 at 3E8-3EFh & IRQ4 (COM3)
COM 2 Serial port 2	J10	1 - 2 2 - 3	Enables serial port 2 Disables serial port 2
Serial port 2 address	J11	1 - 2 2 - 3	Addresses serial port 2 at 2F8-2FFh & IRQ3 (COM2) Addresses serial port 2 at 2E8-2EFh & IRQ3 (COM4)

D